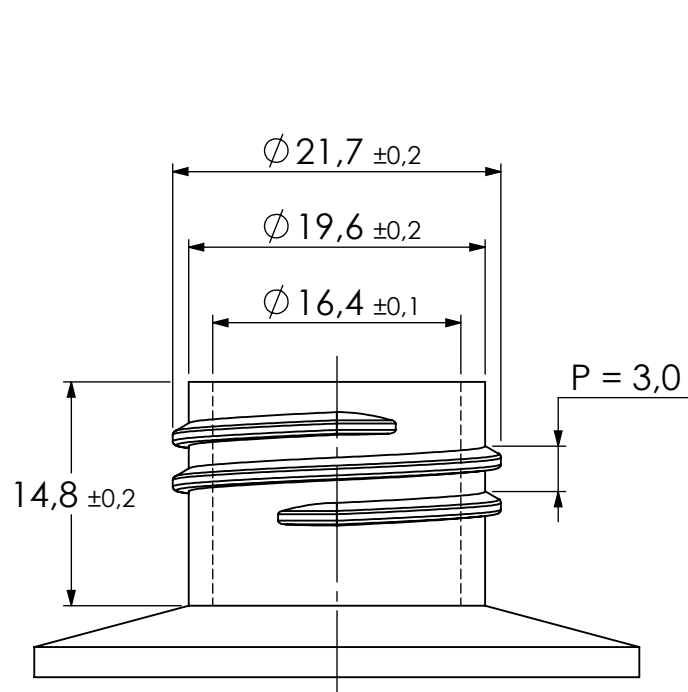


No.	Quantity	Changed / CS No	Date	Sign.	Appr.
1	1	New drawing, Note added	090409	JL	
2	1	Note added	100126	JL	



①

Very Important

The neck dimensions shown are those which have generally been found to be functional but each closure/finish system should be individually evaluated. Neck finishes having dimension outside these ranges can also be appropriate for use, therefore the bottle neck drawing is only a recommendation.

②

This recommendation is for following closure: 22FT/FTR

General tolerance: SS-ISO 2768-1 m

Modulpac AB Industrigatan 11 SE-340 14 Lagan Sweden tel. +46-(0)372-25500 fax. +46-(0)372-25501	Scale	Drawn by	Appr.		Material	Date
	2:1	JL				080314
	Name				Format	Issue
22FT Neck				A4	3	
				Drawing No.		
				22FTHALS		